

QUALITÄT aus **ERFAHRUNG**

QUALITÉ validée par l'**EXPÉRIENCE**

QUALITY from **EXPERIENCE**

T O M C

2025

seit / depuis / since **1992**

KOMPAKT-STECKSCHLÜSSELSATZ JEU DE CLÉS DE DOUILLES COMPACT COMPACT SOCKET WRENCH SET

39
PCS

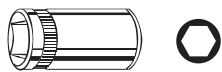
1/4"

1/4"



±165 x 95 x 48 mm / 765 g

1/4"



9 5.5 - 6 - 7 - 8 - 9 - 10
11 - 12 - 13 mm

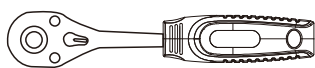


1 1/4" □ 1/4" □

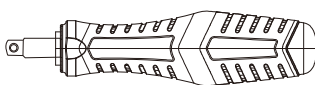


2 50 - 100 mm

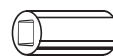
72



1 1/4" □



1 1/4" ■



1 1/4" □ 1/4" □

1/4"



5 3 - 4 - 5 - 6 - 7 mm



4 PH0 - PH1 - PH2 - PH3



4 PZ0 - PZ1 - PZ2 - PZ3



7 T10 - T15 - T20 - T25
T27 - T30 - T40



4 3 - 4 - 5 - 6 mm


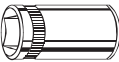

















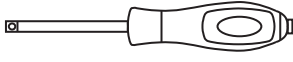




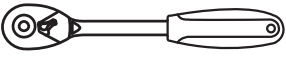





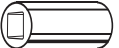






STECKSCHLÜSSELSATZ IN ABS-KASTEN JEU DE CLÉS DE DOUILLES EN BOÎTE EN ABS SOCKET WRENCH CASE IN ABS CASE

44
 PCS



Hard top
EVA

±195 x 130 x 38 mm / 889 g

			13	4 - 4.5 - 5 - 5.5 - 6 - 7 - 8 - 9 10 - 11 - 12 - 13 - 14 mm				3	4.5 - 5.5 - 6.5 mm
			1	1/4"  1/4" 				3	PH1 - PH2 - PH3
			1	100 mm				2	PZ1 - PZ2
			1	3/8"  1/4" 				6	T10 - T15 - T20 T25 - T30 - T40
			1	1/4" 				5	3 - 4 - 5 - 6 - 8 mm
			1	1/4" 				1	1/4"  1/4" 
			1	1/4"  1/4" 				1	60 mm
								4	1.25 - 1.5 - 2 - 2.5 mm

STECKSCHLÜSSEL-/BIT-KOFFER COFFRET DE CLÉS DE DOUILLES ET EMBOUTS SOCKET WRENCH + BIT-CASE

**85
PCS**



**Hard top
EVA**

±180 x 265 x 65 mm / 1500 g

		13	4 - 4.5 - 5 - 5.5 - 6 7 - 8 - 9 - 10 - 11 12 - 13 - 14 mm		5	PH0 - PH1 - PH2 - PH3 - PH4
	1	1/4"	1/4"		4	PZ0 - PZ1 - PZ2 - PZ3
	2	50 mm / 100 mm			15	T8 - T10x2 - T15x2 - T20x2 T25x3 - T27 - T30x2 - T40x2
	1	110 mm			8	TT8 - TT10 - TT15 - TT20 - TT25 TT27 - TT30 - TT40
	1	1/4"			6	3 - 4 - 5 - 6 - 7 - 8 mm
	1	1/4"			5	2 - 3 - 4 - 5 - 6 mm
	1	1/4"	1/4"		4	4 - 6 - 8 - 10 mm
	1	1/4"			4	No. 1 - No. 2 - No. 3 - No. 4
	6	4 - 4.5 - 5.5 - 6 - 6.5 - 8 mm			3	6 - 8 - 10 mm
					4	1.25 - 1.5 - 2 - 2.5 mm

STECKSCHLÜSSELKOFFER COFFRET DE CLÉS DE DOUILLES SOCKET WRENCH CASE


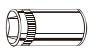





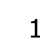
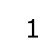
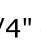




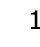
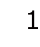
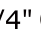



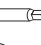
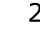


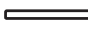

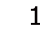



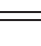
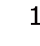
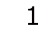

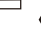



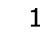
**50
PCS**

1/4"



**Hard top
EVA**

±180 x 265 x 65 mm / 1500 g

			13	4 - 4.5 - 5 - 5.5 - 6 - 7 - 8 9 - 10 - 11 - 12 - 13 - 14 mm			3	4 - 5.5 - 6.5 mm
			1	1/4"  1/4" 			4	PH0 - PH1 - PH2 - PH3
			1	1/4"  1/4" 			4	PZ0 - PZ1 - PZ2 - PZ3
			2	50 mm / 100 mm			8	T8 - T10 - T15 - T20 T25 - T27 - T30 - T40
			1	110 mm			6	3 - 4 - 5 - 6 - 7 - 8 mm
			1	1/4" 			5	1.25 - 1.5 - 2 - 2.5 - 3 mm
			1	1/4" 				











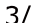





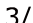






STECKSCHLÜSSELKOFFER COFFRET DE CLÉS DE DOUILLES SOCKET WRENCH CASE

69
PCS



Hard top
EVA

±275 x 345 x 80 mm / 4000 g

		19	5.5 - 6 - 7 - 8 - 9 - 10 - 11 - 12 - 13 14 - 15 - 16 - 17 - 18 - 19 - 20 - 21 22 - 24 mm		1	3/8"  5/16"
		10	8 - 10 - 11 - 12 - 13 - 14 15 - 17 - 19 - 22 mm		3	5.5 - 7 - 8 mm
		2	16 - 21 mm		4	PH1 - PH2 - PH3 - PH4
		1	3/8"  3/8" 		4	PZ1 - PZ2 - PZ3 - PZ4
		2	75 mm / 150 mm		10	TT8 - TT10 - TT15 - TT20 TT25 - TT27 - TT30 - TT40 TT45 - TT50
		1	3/8"  3/8" 		7	3 - 4 - 5 - 6 - 7 - 8 - 10 mm
		1	3/8" 		4	M6 - M8 - M10 - M12


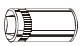


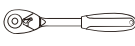

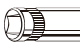

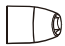



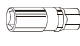


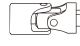
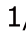

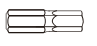





STECKSCHLÜSSELKOFFER COFFRET DE CLÉS DE DOUILLES SOCKET WRENCH CASE

45
PCS



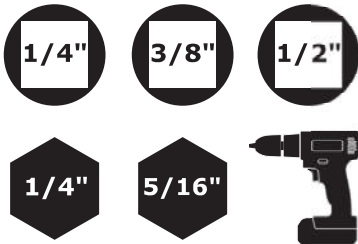
Hard top
EVA

±275 x 345 x 80 mm / 5500 g

- | | | | | | | | | |
|--|---|---|----|---|---|---|---|--|
|  |  |  | 16 | 8 - 10 - 11 - 12 - 13 - 14
15 - 16 - 17 - 18 - 19 - 22
24 - 27 - 30 - 32 mm |  |  | 1 | 1/2"  |
| |  |  | 9 | 10 - 12 - 13 - 14 - 15
17 - 19 - 22 - 24 mm | |  | 1 | 1/2"  5/16"  |
|  |  | | 2 | 16 - 21 mm |  |  | 2 | PH1 - PH2 |
| |  | | 1 | 1/2"  1/2"  | |  | 4 | TT20 - TT25 - TT30 - TT40 |
| |  | | 2 | 125 mm / 250 mm | |  | 6 | 3 - 4 - 5 - 6 - 8 - 10 mm |
| |  | | 1 | 3/8"  1/2"  | | | | |

UNIVERSAL-STECKSCHLÜSSELKOFFER COFFRET UNIVERSEL DE CLÉS DE DOUILLES UNIVERSAL SOCKET WRENCH CASE

202
PCS



±430 x 345 x 88 mm / 8655 g

		13	4 - 4.5 - 5 - 5.5 - 6 - 7 - 8 9 - 10 - 11 - 12 - 13 - 14 mm		6	E10 - E11 - E12 - E14 - E16 - E18		8	TS10 - TS15 - TS20 TS25 - TS27 - TS30 TS40 - TS45
		7	4 - 5 - 6 - 7 - 8 - 9 - 10 mm		3	16 - 18 - 21 mm		3	M5 - M6 - M8
		5	E4 - E5 - E6 - E7 - E8		1	3/8" 3/8"		5	M5 - M6 - M7 M8 - M9
		1	1/4" 1/4"		1	3/8" 5/16"		4	No.4 - No.6 No.8 - No.10
		1	1/4" 1/4"		1	125 mm		2	R1 - R2
		2	50 - 100 mm		1	3/8"		3	No.1 - No.2 - No.3
		1	1/4" 3/8"		17	10 - 11 - 12 - 13 - 14 - 15 16 - 17 - 18 - 19 - 20 - 21 22 - 24 - 27 - 30 - 32 mm		4	No.1 - No.2 No.3 - No.4
		1	1/4"		5	16 - 17 - 18 - 19 - 22 mm		3	No.6 - No.8 - No.10
		1	1/4"		2	E20 - E24		1	1/4" 1/4"
		1	1/4"		1	1/2" 1/2"		1	60 mm
		4	4 - 5.5 - 6.5 - 7 mm		2	125 - 250 mm		3	5/16"
		3	PH0 - PH1 - PH2		1	1/2" 3/8"		2	8 - 10 - 12 mm
		3	PZ0 - PZ1 - PZ2		1	1/2" 5/16"		2	PH3 - PH4
		4	3 - 4 - 5 - 6 mm		1	1/2"		2	PZ3 - PZ4
		8	T8 - T9 - T10 - T15 T20 - T25 - T27 - T30		1	1/2"		6	T40 - T45 - T50 T55 - T60 - T70
		8	TT8 - TT9 - TT10 - TT15 TT20 - TT25 - TT27 - TT30		1	1/2"		6	TT40 - TT45 - TT50 TT55 - TT60 - TT70
		10	10 - 11 - 12 - 13 - 14 - 15 16 - 17 - 18 - 19 mm		2	PH1 - PH2		6	7 - 8 - 10 - 12 - 14 mm
		6	10 - 11 - 12 - 13 - 14 - 15 mm		2	PZ1 - PZ2		5	3 - 4 - 5 mm
		6	10 - 11 - 12 - 13 - 14 - 15 mm		12	T5 - T6 - T7 - T8 - T10 - T15 T20 - T25 - T27 - T30 - T40 - T45		7	1.27 - 1.5 - 2 - 2.5 3 - 4 - 5 mm

STECKSCHLÜSSELKOFFER COFFRET DE CLÉS DE DOUILLES SOCKET WRENCH CASE

115
PCS



Hard top
EVA

±304 x 423 x 95 mm / 6700 g

- 12 4 - 4.5 - 5 - 5.5 - 6 - 7 - 8
9 - 10 - 11 - 12 - 13 mm
- 1 1/4" □ 1/4" □
- 2 50 mm / 100 mm
- 1 1/4"
- 1 1/4" ■
- 1 1/4" □
- 1 1/4" □ 1/4" ○
- 1 1/4" ■
- 3 4 - 5.5 - 6.5 mm
- 3 PH0 - PH1 - PH2
- 3 PZ0 - PZ1 - PZ2
- 8 T8 - T10 - T15 - T20 - T25 - T27
T30 - T40
- 8 TT8 - TT10 - TT15 - TT20 - TT25
TT27 - TT30 - TT40
- 4 3 - 4 - 5 - 6 mm
- 4 4 - 6 - 8 - 10 mm
- 4 No. 1 - No. 2 - No. 3 - No. 4
- 3 6 - 8 - 10 mm
- 4 1.25 - 1.5 - 2 - 2.5 mm

- 15 10 - 13 - 14 - 15 - 16 - 17 - 18 - 19
20 - 21 - 22 - 24 - 27 - 30 - 32 mm
- 5 10 - 13 - 17 - 19 - 22 mm
- 2 16 - 21 mm
- 1 1/2" □ 1/2" □
- 2 125 mm / 250 mm
- 1 3/8" □ 1/2" □
- 1 1/2" □
- 1 1/2" □ 5/16" ○
- 2 7 - 8 mm
- 2 PH3 - PH4
- 2 PZ3 - PZ4
- 2 T45 - T50
- 3 7 - 8 - 10 mm
- 4 M6 - M8 - M10 - M12
- 8 8 - 10 - 11 - 12 - 13 - 14 - 17 - 19 mm

UNIVERSAL-STECKSCHLÜSSELKOFFER COFFRET UNIVERSEL DE CLÉS DE DOUILLES UNIVERSAL SOCKET WRENCH CASE

**250
PCS**



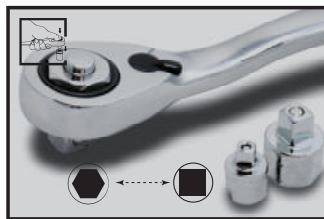
±395 x 485 x 114 mm / 10'000 g

- | | | | | | | | | | | |
|--|--|----|--|--|----|--|--|--|----|---|
| | | 13 | 4 - 4.5 - 5 - 5.5 - 6 - 7 - 8
9 - 10 - 11 - 12 - 13 - 14 mm | | 6 | 3 - 4 - 5 - 6 - 7 - 8 mm | | | 12 | 0.7 - 0.9 - 1.3 - 1.5 - 2.0
2.5 - 3 - 3.5 - 4 - 4.5 - 5 - 6 mm |
| | | 5 | E4 - E5 - E6 - E7 - E8 | | 6 | 2 - 2.5 - 3 - 4 - 5 - 6 mm | | | 4 | T3 - T4 - T5 - T6 |
| | | 1 | 1/4" | | 9 | T8 - T9 - T10 - T15 - T20
T25 - T27 - T30 - T40 | | | 6 | TT7 - TT8 - TT9 - TT10 - TT15 - TT20 |
| | | 1 | 1/4" | | 9 | TT8 - TT9 - TT10 - TT15 - TT20
TT25 - TT27 - TT30 - TT40 | | | 3 | P2 - P5 - P6 |
| | | 2 | 50 mm / 100 mm | | 9 | TS8 - TS9 - TS10 - TS15 - TS20
TS25 - TS27 - TS30 - TS40 | | | 3 | R0 - R1 - R2 |
| | | 1 | 110 mm | | 9 | TS8 - TS9 - TS10 - TS15 - TS20
TS25 - TS27 - TS30 - TS40 | | | 5 | PH000 - PH00 - PH0 - PH1
PH2 |
| | | 1 | 150 mm | | 9 | TS8 - TS9 - TS10 - TS15 - TS20
TS25 - TS27 - TS30 - TS40 | | | 4 | J000 - J00 - J0 - J1 |
| | | 1 | 1/4" | | 4 | 4 - 6 - 8 - 10 mm | | | 1 | 3 |
| | | 9 | 10 - 13 - 15 - 16 - 18 - 24
27 - 30 - 32 mm | | 4 | M4 - M5 - M6 - M8 | | | 1 | 0.8 |
| | | 4 | 17 - 19 - 21 - 22 mm | | 3 | 6 - 8 - 10 mm | | | 7 | 1 - 1.5 - 2 - 2.5 - 3 - 3.5 - 4 mm |
| | | 8 | E10 - E12 - E14 - E16 - E18 - E20
E22 - E24 | | 4 | No. 1 - No. 2 - No. 3 - No. 4 | | | 2 | 0 - 1 |
| | | 2 | 16 - 21 mm | | 2 | R1 - R2 | | | 5 | 2.5 - 3 - 3.5 - 4 - 5 mm |
| | | 1 | 1/2" | | 1 | 1/4" | | | 1 | +- |
| | | 1 | 1/2" | | 1 | 60 mm | | | 1 | 143 mm |
| | | 2 | 125 mm / 250 mm | | 3 | 8 - 10 - 12 mm | | | 1 | 95 mm |
| | | 1 | 3/8" | | 4 | PH1 - PH2 - PH3 - PH4 | | | 1 | 25 mm |
| | | 1 | 1/2" | | 4 | PZ1 - PZ2 - PZ3 - PZ4 | | | 1 | 1/4" |
| | | 5 | 4 - 4.5 - 5.5 - 6 - 6.5 mm | | 12 | T10 - T15 - T20 - T25 - T27 - T30
T35 - T40 - T45 - T50 - T55 - T60 | | | 9 | 1.5 - 2 - 2.5 - 3 - 4 - 5 - 6 - 8 - 10 mm |
| | | 5 | PH0 - PH1 - PH2 - PH3 - PH4 | | 7 | TT25 - TT27 - TT30 - TT35 - TT40 -
TT45 - TT50 | | | 12 | 6 - 8 - 10 - 11 - 12 - 13 - 14 - 15
16 - 17 - 18 - 19 mm |
| | | 5 | PZ0 - PZ1 - PZ2 - PZ3 - PZ4 | | 2 | M10 - M12 | | | 3 | 10 - 12 - 14 mm |

DURCHSTECK-STECKSCHLÜSSELKOFFER

COFFRET DE DOUILLES TRAVERSANTES

PASS-THROUGH SOCKET WRENCH CASE



Durchgehende Ratschenköpfe, Stecknüsse und Verlängerungen zum Schrauben von langen Bolzen und Gewindestangen. Ersetzt lange Stecknüsse.

Les têtes de cliquets, les douilles et rallonges traversantes pour le vissage et dévissage des boulons longs et des tiges filetées. Remplace des douilles longues.

Pass-through ratchet heads, sockets and extensions for screwing long bolts and threaded rods. Replacing long sockets.

370 x 270 x 60 mm / 3180 g

- 13 mm 11 4.5-5-5.5-6-7-8-9-10-11-12-13 mm
- 4.5-5-5.5-6-7-8-9 mm
- 10-11-12-13 mm
- 3/16"-13/64"-7/32"-1/4"
- 9/32"-5/16"-11/32"-3/8"
- 7/16"-15/32"-1/2"
- E6-E7-E8-E10
- E12-E14-E16
- M6-M8-M10
- M12-M14-M16

- 19 mm 11 8-10-11-12-13-14-15-16-17-18-19 mm
- 8-10-11-12-13-14-15
- 16-17-18-19 mm
- 5/16"-3/8"-7/16"-15/32"
- 1/2"-9/16"-19/32"-5/8"
- 11/16"-23/32"-3/4"
- E10-E12-E14-E16
- E18-E20-E22-E24
- M10-M12-M14
- M16-M18

- 22 mm 7 19-20-21-22-23-24-25 mm
- 19-20-21-22-23-24
- 25 mm
- 3/4"-25/32"-13/16"-7/8"
- 29/32"-15/16"-1"
- E24-E26-E28-E30
- E32

- 3 13 mm x 1/4", 19 mm x 3/8", 22 mm x 1/2"
- Adapter für Standard-Stecknüsse
- Adaptateur pour douilles standard
- Adapter for standard sockets

- 3 13 mm x 1/4", 19 mm x 3/8", 22 mm x 1/2"

- 72 13 mm x 1/4", 19 mm x 3/8", 22 mm x 1/2"

- 3 13 mm x 1/4", 19 mm x 3/8", 22 mm x 1/2"

- 13 mm 1/4"

- 1/4" 25 mm
- 2 4-5.5 mm
- 2 PH 1-2



- 3 T10-T15-T20
- 3 4-5-6 mm



UNIVERSAL-WERKZEUGKOFFER COFFRET D'OUTILS UNIVERSELS UNIVERSAL TOOL CASE






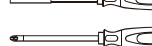

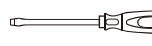



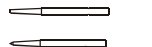





















104
PCS

3/8" **1/4"**

Hard top
EVA



±395 x 485 x 114 mm / 8500 g

- | | | | | | |
|--|----|--|--|----|---|
|  | 18 | 5.5 - 6 - 7 - 8 - 9 - 10 - 11 - 12 - 13 - 14
15 - 16 - 17 - 18 - 19 - 21 - 22 - 24 mm |  | 9 | 1.5 - 2 - 2.5 - 3 - 4 - 5 - 6 - 8 - 10 mm |
|  | 2 | 16 - 21 mm |  | 1 | 110 - 250 V |
|  | 1 | 3/8" □ 3/8" □ |  | 1 | 1/4" |
|  | 1 | 150 mm |  | 2 | PH1 - PH2 |
|  | 1 | 3/8" □ 3/8" □ |  | 3 | 3.5 - 5.5 - 6.5 mm |
|  | 1 | 3/8" □ 1/4" □ |  | 1 | 150 mm |
|  | 1 | 3/8" □ |  | 1 | 3 X 125 mm |
|  | 1 | 3/8" □ 1/4" □ |  | 1 | 2 X 120 mm |
|  | 4 | 4 - 5.5 - 6.5 - 8 mm |  | 1 | 300 g |
|  | 4 | PH0 - PH1 - PH2 - PH3 |  | 1 | 5 m x 19 mm |
|  | 3 | PZ1 - PZ2 - PZ3 |  | 1 | 180 mm |
|  | 7 | T10 - T15 - T20 - T25 - T27 - T30 - T40 |  | 1 | 175 mm |
|  | 7 | TT10 - TT15 - TT20 - TT25 - TT27 - TT30 - TT40 |  | 1 | 250 mm |
|  | 6 | 3 - 4 - 5 - 6 - 7 - 8 mm |  | 1 | 200 mm |
|  | 1 | 1/4" □ |  | 1 | 18 mm |
|  | 1 | 1/4" □ 1/4" □ |  | 10 | 18 mm |
|  | 1 | LED | | | |
| | 8 | 8 - 10 - 11 - 12 - 13 - 14 - 17 - 19 mm | | | |

BIT-BOX BOITE D'EMBOUTS

**32
PCS**

1/4"

**25
mm**

S2



↕ 105 x 70 x 42 mm

1/4"



3 4.5 - 5.5 - 6.5 mm



3 PH1 - PH2 - PH3



4 PZ1 - PZ2x2 - PZ3



**9 T10 - T15 - T20x2 - T25x2
T27 - T30 - T40**



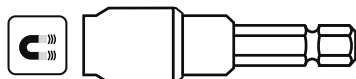
**7 TT10 - TT15 - TT20 - TT25
TT27 - TT30 - TT40**



4 3 - 4 - 5 - 6 mm



1 1/4" 1/4"



1



Farb-ID / ID de couleur



Clip

UNIVERSAL-BIT-KOFFER COFFRET D'EMBOUITS UNIVERSEL UNIVERSAL BIT CASE

140
PCS

1/4"

25
mm

50
mm

mit allen gängigen, speziellen
und Sicherheitsbits

avec tous les embouts courants,
spéciaux et de sécurité

with all standard, special
and security bits



±240 x 190 x 65 mm / 1533 g

25
mm



6

4 - 4.5 - 5.5 - 6 - 6.5 - 8 mm



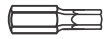
6

PH1 x 2 - PH2 x 2 - PH3 x 2



6

PZ1 x 2 - PZ2 x 2 - PZ3 x 2



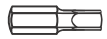
28

T8 x 2 - T10 x 2 - T15 x 2
T20 x 5 - T25 x 6 - T27 x 3
T30 x 4 - T40 x 4



16

TT8 x 2 - TT10 x 2 - TT15 x 2
TT20 x 2 - TT25 x 2 - TT27 x 2
TT30 x 2 - TT40 x 2



15

TS10 - TS15 x 2 - TS20 x 2 - TS25 x 3
TS27 x 2 - TS30 x 3 - TS40 x 2



6

3 - 4 - 5 - 6 - 7 - 8 mm



4

3 - 4 - 5 - 6 mm



4

No.1 - No.2 - No.3 - No.4



3

No.6 - No.8 - No.10



3

No.1 - No.2 - No.3



4

No.4 - No.6 - No.8 - No.10



2

R1 - R2



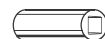
3

M5 - M6 - M8



1

1/4" 1/4"



1

1/4" 1/4"

50
mm



3

SL4 - SL5.5 - SL6.5



3

PH1 - PH2 - PH3



3

PZ1 - PZ2 - PZ3



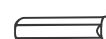
2

H3 - H6



7

T10 - T15 - T20 - T25
T27 - T30 - T40



1

1/4" 1/4"



1

60 mm



10

4 - 5 - 6 - 7 - 8 - 9
10 - 11 - 12 - 13



1



1

210 mm

UNIVERSAL-ALU-WERKZEUGKOFFER COFFRET ALU D'OUTILS UNIVERSELS UNIVERSAL ALU TOOL CASE

**180
PCS**

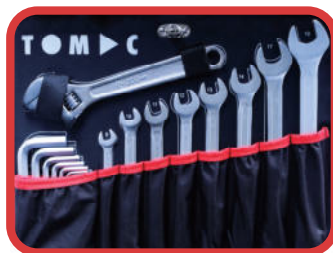
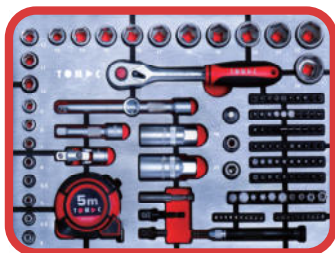


- | | | | |
|----|---|----|---|
| 8 | 4 - 4.5 - 5 - 5.5 - 6
7 - 8 - 9 mm | 9 | 1.5 - 2 - 2.5 - 3 - 4
5 - 6 - 8 - 10 mm |
| 14 | 10 - 11 - 12 - 13 - 14 - 15 - 16 - 17
18 - 19 - 20 - 21 - 22 - 24 mm | 1 | 200 mm |
| 1 | 3/8" 3/8" | 8 | 8 - 10 - 11 - 12
13 - 14 - 17 - 19 mm |
| 2 | 75 mm / 150 mm | 1 | 160 mm |
| 1 | 3/8" 3/8" | 1 | 180 mm |
| 2 | 16 mm / 21 mm | 1 | 200 mm |
| 1 | 60 mm | 1 | 110 - 250 V |
| 1 | 50 mm 3/8" 1/4" | 4 | 3.5 x 75 mm
4.0 x 100 mm
5.5 x 100 mm
6.5 x 100 mm |
| 1 | 30 mm 3/8" 1/4" | 2 | PH1 x 100 mm
PH2 x 100 mm |
| 1 | 3/8" 5/16" | 1 | 1/4 x 100 mm |
| 1 | 3/8" 1/4" | 1 | 150 mm |
| 1 | 3/8" 1/4" | 5 | 150 mm |
| 1 | 3/8" 1/4" | 4 | 18 mm |
| 6 | 4 - 4.5 - 5.5 - 6 - 6.5 - 8 mm | 10 | 18 mm |
| 4 | PZ0 - PZ1 - PZ2 - PZ3 | 1 | 250 mm |
| 6 | 3 - 4 - 5 - 6 - 7 - 8 mm | 1 | 300 g |
| 4 | 4 - 6 - 8 - 10 mm | 1 | 300 mm |
| 5 | 2 - 3 - 4 - 5 - 6 mm | 1 | 300 mm |
| 3 | 6 - 8 - 10 mm | 1 | 300 mm |
| 4 | No. 1 - No. 2 - No. 3 - No. 4 | 1 | 300 mm |
| 14 | T8 - T10 x 2 - T15 x 2 - T20 x 2
T25 x 2 - T27 - T30 x 2 - T40 x 2 | 1 | 300 mm |
| 5 | PH0 - PH1 - PH2 - PH3 - PH4 | 1 | 300 mm |
| 8 | TT8 - TT10 - TT15 - TT20 - TT25
TT27 - TT30 - TT40 | 1 | 300 mm |
| 1 | 1/4" | 1 | 300 mm |
| 2 | 10 - 12 mm | 1 | 300 mm |
| 4 | T45 - T50 - T55 - T60 | 1 | 300 mm |
| 4 | TT45 - TT50 - TT55 - TT60 | 1 | 300 mm |
| 1 | 5 x 19 mm | 1 | 300 mm |
| 1 | 130 mm | 1 | 300 mm |
| 3 | 1.5 - 2 - 2.5 mm | 1 | 300 mm |
| 2 | PH0 - PH1 | 1 | 300 mm |
| 2 | PZ0 - PZ1 | 1 | 300 mm |
| 7 | T4 - T5 - T6 - T7 - T8 - T10 - T15 | 1 | 300 mm |
| 3 | 0.7 - 0.9 - 1.3 mm | 1 | 300 mm |
| 3 | 2 - 2.5 - 3 mm | 1 | 300 mm |



Hard top
EVA

±393 x 293 x 150 mm / 8500 g



UNIVERSAL-ALU-WERKZEUGKOFFER COFFRET ALU D'OUTILS UNIVERSELS UNIVERSAL ALU TOOL CASE

282
PCS



- | | | | |
|--|---|--|--------------------------------------|
| | 13 4 - 4.5 - 5 - 5.5 - 6 - 7 - 8
9 - 10 - 11 - 12 - 13 - 14 mm | | 5 3.5 - 4.0 - 5.5 - 6.5 - 8.0 mm |
| | 1 1/4" | | 1 6.5 mm |
| | 1 1/4" | | 2 PH1 - PH2 |
| | 2 50 mm / 100 mm | | 1 PH2 |
| | 1 110 mm | | 1 1/4" |
| | 1 1/4" | | 1 110 - 250 V |
| | 1 1/4" | | 1 1.5 kg |
| | 16 8 - 10 - 11 - 12 - 13 - 14 - 15 - 16
17 - 18 - 19 - 22 - 24 - 27 - 30 - 32 mm | | 3 1.5 - 2 - 2.5 mm |
| | 5 10 - 12 - 13 - 14 - 15 mm | | 2 PH0 - PH1 |
| | 4 17 - 19 - 21 - 22 mm | | 2 PZ0 - PZ1 |
| | 2 16 - 21 mm | | 7 T4 - T5 - T6 - T7 - T8 - T10 - T15 |
| | 1 1/2" | | 4 0.7 - 0.9 - 1.3 - 1.5 mm |
| | 1 1/2" | | 3 2 - 2.5 - 3 mm |
| | 2 125 mm / 250 mm | | 1 95 mm |
| | 1 3/8" | | |
| | 1 1/2" | | |
| | 6 4 - 4.5 - 5.5 - 6 - 6.5 - 8 mm | | 1 160 mm |
| | 5 PH0 - PH1 - PH2 - PH3 - PH4 | | 1 250 mm |
| | 4 PZ0 - PZ1 - PZ2 - PZ3 | | 1 180 mm |
| | 6 3 - 4 - 5 - 6 - 7 - 8 mm | | 1 200 mm |
| | 5 2 - 3 - 4 - 5 - 6 mm | | 1 200 mm |
| | 14 T8 - T10x2 - T15x2 - T20x2
T25x2 - T27 - T30x2 - T40x2 | | 1 LED |
| | 8 TT8 - TT10 - TT15 - TT20 - TT25
TT27 - TT30 - TT40 | | 60 |
| | 4 4 - 6 - 8 - 10 mm | | 5 |
| | 4 No. 1 - No. 2 - No. 3 - No. 4 | | 6 |
| | 3 6 - 8 - 10 mm | | 1 250 mm |
| | 1 1/4" | | 1 310mm |
| | 2 10 - 12 mm | | 1 300g |
| | 4 T45 - T50 - T55 - T60 | | 1 35 mm |
| | 4 TT45 - TT50 - TT55 - TT60 | | 1 200 mm |
| | 16 5.5 - 6 - 7 - 8 - 9 - 10 - 11 - 12 - 13 - 14
15 - 16 - 17 - 18 - 19 - 22 mm | | 1 5 X 19 mm |
| | 2 24 X 27 mm - 30 X 32 mm | | 1 300 mm |
| | 3 18 mm | | |
| | 10 18 mm | | |
| | 9 1.5 - 2 - 2.5 - 3 - 4 - 5 - 6 - 8 - 10 mm | | |



Hard top
EVA

±495 x 179 x 390 mm / 17'900 g



UNIVERSAL-WERKZEUG-WERKSTATTWAGEN "Oelfass"

SERVANTE D'OUTILS UNIVERSELS "Baril de pétrol"

UNIVERSAL TOOL CABINET "Oil barrel"

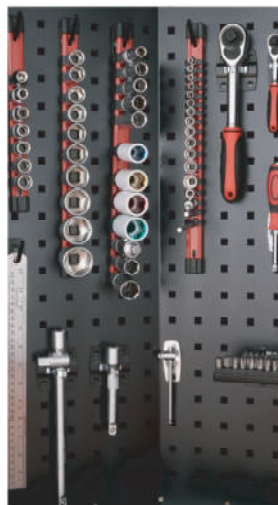
283
PCS



- | | | | |
|--|---|--|--------------------------------------|
| | 13 4 - 4.5 - 5 - 5.5 - 6 - 7 - 8
9 - 10 - 11 - 12 - 13 - 14 mm | | 5 3.5 - 4.0 - 5.5 - 6.5 - 8.0 mm |
| | 1 1/4" | | 1 6.5 mm |
| | 1 1/4" | | 2 PH1 - PH2 |
| | 2 50 mm / 100 mm | | 1 PH2 |
| | 1 110 mm | | 1 1/4" |
| | 1 1/4" | | 1 110 - 250 V |
| | 1 1/4" | | 1 1.5 kg |
| | 1 1/4" | | 3 1.5 - 2 - 2.5 mm |
| | 16 8 - 10 - 11 - 12 - 13 - 14 - 15 - 16
17 - 18 - 19 - 22 - 24 - 27 - 30 - 32 mm | | 2 PH0 - PH1 |
| | 78mm | | 2 PZ0 - PZ1 |
| | 5 10 - 12 - 13 - 14 - 15 mm | | 7 T4 - T5 - T6 - T7 - T8 - T10 - T15 |
| | 4 17 - 19 - 21 - 22 mm | | 4 0.7 - 0.9 - 1.3 - 1.5 mm |
| | 2 16 - 21 mm | | 3 2 - 2.5 - 3 mm |
| | 1 1/2" | | 1 95 mm |
| | 1 1/2" | | 1 160 mm |
| | 1 1/2" | | 1 250 mm |
| | 1 1/2" | | 1 180 mm |
| | 6 4 - 4.5 - 5.5 - 6 - 6.5 - 8 mm | | 1 200 mm |
| | 5 PH0 - PH1 - PH2 - PH3 - PH4 | | 1 200 mm |
| | 4 PZ0 - PZ1 - PZ2 - PZ3 | | 1 LED |
| | 6 3 - 4 - 5 - 6 - 7 - 8 mm | | 60 |
| | 5 2 - 3 - 4 - 5 - 6 mm | | 5 |
| | 14 T8 - T10x2 - T15x2 - T20x2
T25x2 - T27 - T30x2 - T40x2 | | 6 |
| | 8 TT8 - TT10 - TT15 - TT20 - TT25
TT27 - TT30 - TT40 | | 1 250 mm |
| | 4 4 - 6 - 8 - 10 mm | | 1 310mm |
| | 4 No. 1 - No. 2 - No. 3 - No. 4 | | 1 300g |
| | 3 6 - 8 - 10 mm | | 1 35 mm |
| | 1 1/4" | | 1 200 mm |
| | 2 10 - 12 mm | | 1 5 X 19 mm |
| | 4 T45 - T50 - T55 - T60 | | 1 300 mm |
| | 4 TT45 - TT50 - TT55 - TT60 | | 1 60 mm |
| | 16 5.5 - 6 - 7 - 8 - 9 - 10 - 11 - 12 - 13 - 14
15 - 16 - 17 - 18 - 19 - 22 mm | | |
| | 2 24 X 27 mm - 30 X 32 mm | | |
| | 4 18 mm | | |
| | 10 18 mm | | |
| | 9 1.5 - 2 - 2.5 - 3 - 4 - 5 - 6 - 8 - 10 mm | | |



±D580 x H800 mm / 56'000 g



**WERKSTATTWAGEN MIT UNIVERSELLEN WERKZEUGEN
 CHARIOT D'ATELIER, ÉQUIPÉ D'OUTILS UNIVERSELS
 WORKSHOP CABINET WITH UNIVERSAL TOOLS**

1/4" 1/2"

4mm 1/4" 5/16"

**283
 PCS**

Hard top
EVA



± 770 x 460 x 970 mm / 75 kg



GRATIS / GRATUIT / FREE

Für den mobilen Einsatz:

Alu-Werkzeugkoffer, leer, mit EVA-Einlage und Werkzeugtafeln, exakt passend für alle Werkzeuge

Pour l'utilisation mobile :

Coffret à outils en alu, vide, avec insert en EVA et plateaux à outils, bien adaptées à tous les outils

For mobile use:

Aluminum tool case, empty, with EVA insert and Tool pallets, perfectly fitting all tools



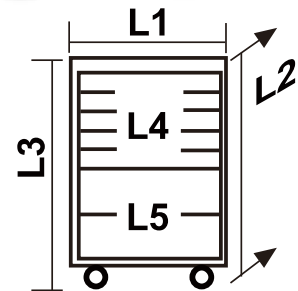
Art. TC0139

Werkstattwagen mit universellen Werkzeugen Chariot d'atelier, équipé d'outils universels Workshop cabinet with universal tools



Inhalt / Contenu / Contents:

- 13 4 - 4.5 - 5 - 5.5 - 6 - 7 - 8
9 - 10 - 11 - 12 - 13 - 14 mm
- 1 1/4"
- 1 1/4"
- 2 50 mm / 100 mm
- 1 110 mm
- 1 1/4"
- 1 1/4"
- 16 8 - 10 - 11 - 12 - 13 - 14 - 15 - 16
17 - 18 - 19 - 22 - 24 - 27 - 30 - 32 mm
- 5 10 - 12 - 13 - 14 - 15 mm
- 4 17 - 19 - 21 - 22 mm
- 2 16 - 21 mm
- 1 1/2"
- 1 1/2"
- 2 125 mm / 250 mm
- 1 3/8"
- 1 1/2"
- 6 4 - 4.5 - 5.5 - 6 - 6.5 - 8 mm
- 5 PH0 - PH1 - PH2 - PH3 - PH4
- 4 PZ0 - PZ1 - PZ2 - PZ3
- 6 3 - 4 - 5 - 6 - 7 - 8 mm
- 5 2 - 3 - 4 - 5 - 6 mm
- 14 T8 - TT10x2 - TT15x2 - TT20x2
TT25x2 - TT27 - TT30x2 - T40x2
- 8 TT8 - TT10 - TT15 - TT20 - TT25
TT27 - TT30 - TT40
- 4 4 - 6 - 8 - 10 mm
- 4 No. 1 - No. 2 - No. 3 - No. 4
- 3 6 - 8 - 10 mm
- 1 1/4"
- 1 60 mm
- 2 10 - 12 mm
- 4 T45 - T50 - T55 - T60
- 4 TT45 - TT50 - TT55 - TT60
- 16 5.5 - 6 - 7 - 8 - 9 - 10 - 11 - 12 - 13 - 14
15 - 16 - 17 - 18 - 19 - 22 mm
- 2 24 X 27 mm - 30 X 32 mm
- 4 18 mm
- 10 18 mm
- 9 1.5 - 2 - 2.5 - 3 - 4 - 5 - 6 - 8 - 10 mm
- 5 3.5 - 4.0 - 5.5 - 6.5 - 8.0 mm
- 1 6.5 mm
- 2 PH1 - PH2
- 1 PH2
- 1 1/4"
- 1 110 - 250 V
- 1 1.5 kg
- 3 1.5 - 2 - 2.5 mm
- 2 PH0 - PH1
- 2 PZ0 - PZ1
- 7 T4 - T5 - T6 - T7 - T8
T10 - T15
- 4 0.7 - 0.9 - 1.3 - 1.5 mm
- 3 2 - 2.5 - 3 mm
- 1 95 mm
- 1 160 mm
- 1 250 mm
- 1 180 mm
- 1 200 mm
- 1 200 mm
- 1 200 mm
- 1 LED
- 60
- 5
- 6
- 1 250 mm
- 1 310mm
- 1 300g
- 1 35 mm
- 1 200 mm
- 1 5 X 19 mm
- 1 300 mm

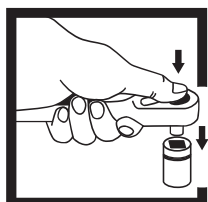


TC0139	L 1 (mm)	L 2 (mm)	L 3 (mm)
TOTAL	770	460	970
L 4 (mm)	6 x 535	6 x 400	6 x 74
L 5 (mm)	1 x 535	1 x 400	1 x 226

UMSCHALTKNARREN

CLIQUETS RÉVERSIBLES

REVERSIBLE RATCHET HANDLES



Art.	□	L
TC0121	1/4"	150 mm
TC0122	3/8"	200 mm
TC0123	1/2"	250 mm

Auf Blisterkarte
 Sur carte blister
 On blister card



CLICK-DREHMOMENTSCHLÜSSEL mit MikroEinstellung
CLÉ DYNAMOMÉTRIQUE A CLIC avec micro-réglage
Micro adjusting CLICK TORQUE WRENCH

DIN / ISO 6789



**In Hartschalenkoffer mit
Anleitung + Zertifikat**

**Dans coffret en plastique dur
avec mode d'emploi + certificat**

**In blow mould case with
manual + certificate**

1/2"

40 - 200 Nm

30 - 150 lb.ft.

±4%

0.5 Nm

Dual-Fenster-Skala
Échelle à double fenêtre
Double window scale

Individuelle Serien-Nummer
Numéro de série individuel
Individual serial number

↕ 463 mm x 40 mm / 1'020 g

WINKELSTIFTSCHLÜSSELSÄTZE

JEU DE CLES MALES COUDEES

L-WRENCH KEY SETS

Art. TC0125

Kugelpopf-Sechskant-
Winkelstiftschlüssel-Satz

Jeu de clés mâles coudées
6 pans à tête sphérique

Offset ballpoint hexagon key
wrench set

1.5 – 2 – 2.5 – 3

4 – 5 – 6 – 8 – 10 mm

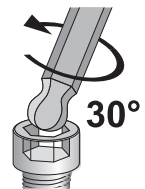
DIN / ISO 2936

auf Blisterkarte / sur carte blister / on blister card



**9
PCS**

CrV



±195 x 72 x 28 mm / 347 g

**9
PCS**



CrV

Art. TC0134

TX-Winkelstiftschlüssel-Satz

Jeu de clés mâles coudées TX

Offset TX key wrench set

T10 - T15 - T20

T25 - T27 - T30

T40 - T45 - T50

±173 x 66 x 25 mm / 310 g

RATSCHEN-RINGGABELSCHLÜSSEL-SÄTZE
JEUX DE CLÉS COMBINÉES À CLIQUET
RATCHET COMBINATION SPANNER SETS

12
PCS

Art. TC0132

gerade / plat / straight



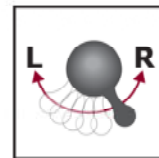
8 - 9 - 10 - 11 - 12 - 13 - 14

15 - 16 - 17 - 18 - 19 mm

✚ 180 x 265 x 65 mm / 2060 g

Art. TC0131

umschaltbar / réversible /
reversible



Art. TC0130

4 in 1

✚ 198 x 35 x 21 mm / 190 g



INDUSTRIE-ROLLGABELSCHLUSSEL CLÉS À MOLETTE INDUSTRIELLES INDUSTRIAL ADJUSTABLE ANGLE WRENCHES

Speziell konzipiert für Sanitär, Automotiv, Installations-, Heizungs-/Klimatechnik
Spécialement conçu pour la plomberie, l'automobile, l'installation et la technologie du chauffage/climatisation

Specially designed for plumbing, automotive, installation and heating/air conditioning technology



Komfortabler Sicherheits-Handgriff
Poignée de sécurité confortable
Comfortable safety handle



Extrem schlanker Kopf für engen Raum

Tête extrêmement fine pour les espaces restreints

Extremely slim head for tight spaces



Grössere Maulöffnung
55 % mehr als Standard

Ouverture plus grande de la mâchoire
55 % plus que clés standards

Bigger jaw opening
55 % more than standard



Backen 30 % länger als Standard

Mâchoires 30 % plus longues que les clés standards

Jaws 30 % longer than standard

Art.	Grösse Dim. Size	Standard	TOMAC	Länge Longueur Length	Gewicht Poids Weight	Test Nm max.
TC1011	6"/150 mm	20 mm	34 mm	165 mm	168 g	164
TC1002	8"/200 mm	24 mm	38 mm	200 mm	300 g	300
TC1003	10"/250 mm	29 mm	50 mm	265 mm	546 g	510
TC1004	12"/300 mm	34 mm	60 mm	310 mm	819 g	861

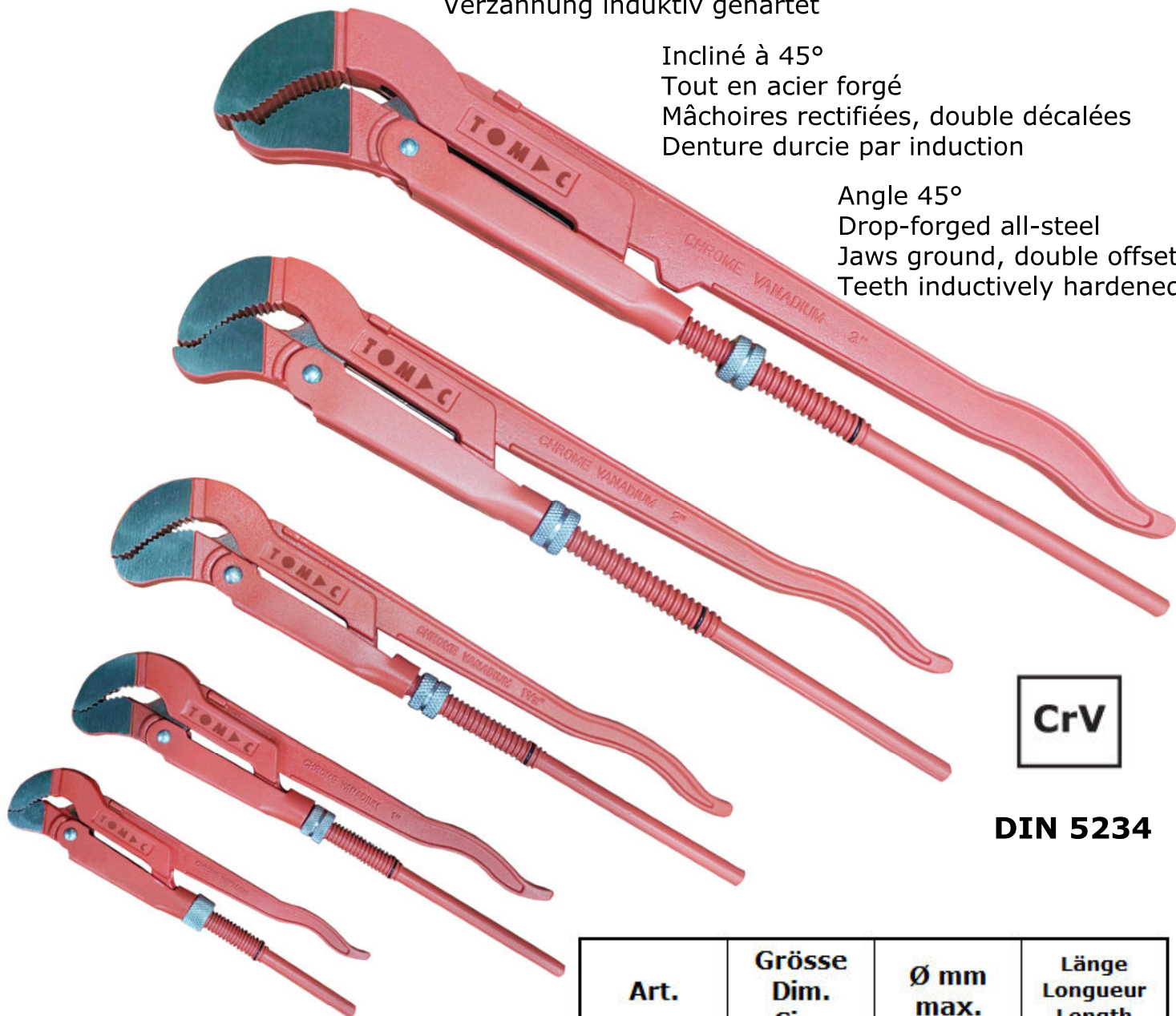
SCHWEDISCH ECKROHRZANGEN
CLÉ SERRE-TUBES TYPE SUÉDOIS
SWEDISH PIPE WRENCH

S-Form
 Forme en col de cygne
 S-inlet

45° abgewinkelt
 Ganzstahl gesenkgeschmiedet
 Backen geschliffen, doppelt versetzt
 Verzahnung induktiv gehärtet

Incliné à 45°
 Tout en acier forgé
 Mâchoires rectifiées, double décalées
 Denture durcie par induction

Angle 45°
 Drop-forged all-steel
 Jaws ground, double offset
 Teeth inductively hardened



DIN 5234

Art.	Größe Dim. Size	Ø mm max.	Länge Longueur Length
TC1001	1/2"	25 mm	235 mm
TC1002	1"	40 mm	330 mm
TC1003	1-1/2"	55 mm	420 mm
TC1004	2"	67 mm	535 mm
TC1005	3"	103 mm	652 mm
TC1006	Set 3 Stk./pcs. TC1002+1003+1004		

WASSERPUMPENZANGE, SCHNELLVERSTELLBAR

PINCE MULTIPRISE À REGLAGE RAPIDE

GROOVE JOINT PLIERS WITH QUICK RELEASE FUNCTION




CrV

- Ganzstahl gesenkgeschmiedet und gehärtet
- Backen geschliffen, geriffelt, doppelt versetzt
- Hohe Stabilität dank der doppelten Führung
- Per Knopfdruck schnell und präzise einstellbar
- Feinverstellung für optimales Greifen
- Sicheres Klicksystem im Gelenkschaft, kein ungewolltes Verrutschen
- Selbstklemmend auf Rohren und Muttern, kein Abrutschen am Werkstück
- Quetsch-Klemmschutz

- Tout acier forgé et trempé
- Mâchoires rectifiées, cannelées, double déport
- Grande stabilité grâce au double guidage
- Peut être réglé rapidement et précisément par simple pression de bouton
- Réglage fin pour un serrage optimal
- Système de clic sécurisé dans l'arbre de joint, pas de glissement indésirable
- Auto-serrage sur tuyaux et écrous, pas de glissement sur la pièce
- Protection antipincement

DIN ISO 8976

- All-steel, drop-forged and hardened
- Jaws ground, serrated, double offset
- High stability thanks to the double guide
- Quick and precise adjustment with button touch
- Fine adjustment for optimal gripping
- Safe click system in the joint shaft, no accidental slipping
- Self-clamping on pipes and nuts, no slipping on the workpiece
- Anti-jamming protection

Art.	Grösse Dim. Size	Max. 	Länge Longueur Length	Gewicht Poids Weight
TC1021	7"/175 mm	25 mm	183 mm	204 g
TC1022	10"/250 mm	30 mm	240 mm	371 g
TC1023	12"/300 mm	40 mm	310 mm	589 g
TC1024	16"/400 mm	80 mm	415 mm	1'256 g

ABBRECHMESSER CUTTER UNIVERSEL RETRACTABLE CUTTER KNIFE

Art. TC0126

- Mit 2-Komponenten-Griff
- Feinverzahnte Klingenführung aus rostfreiem Stahl
- Autostop-Sicherheits-Klingenarretierung
- Inkl. 3 Abbrechklingen 18 mm
- Integriertes Klingen-Magazin



✚ 170 x 48 x 20 mm / 110 g

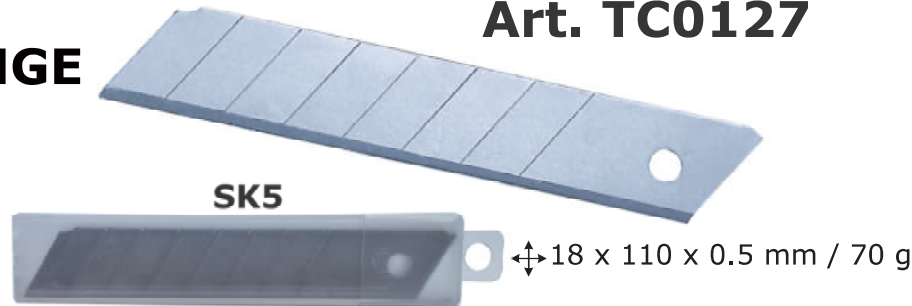
- Avec manche bi-matière
- Guide-lame à dents fines en acier inoxydable
- Verrouillage de la lame de sécurité avec arrêt automatique
- Avec 3 lames sécables 18 mm
- Magazine de lames intégré

- With 2-component handle
- Fine-toothed blade guide made of stainless steel
- Autostop safety blade lock
- Incl. 3 snap-off blades 18 mm
- Integrated blade magazine

ERSATZKLINGEN LAMES DE RECHANGE SPARE BLADES

Art. TC0127

Kunststoffbox mit 10 Stück
Boîte en plastique avec 10 pièces
Plastic box with 10 pieces



SK5

✚ 18 x 110 x 0.5 mm / 70 g

ARBEITS-KLAPPMESSER COUTEAU PLIANT DE TRAVAIL WORKING FOLDING KNIFE

Art. RB-8201



✚ 203 (117) x 45 x 21 mm / 143.9 g

- Einhändig öffnen und schliessen
- Speziell scharfe Inox-Klinge zum Schneiden und Sägen
- Ergonomischer Holzschalengriff
- Linerlock Sicherheitsarretierung
- Gürtelclip

- Ouvrir et fermer d'une seule main
- Lame en acier inox très aiguisée pour couper et scier
- Manche coque ergonomique en bois
- Serrure de sécurité Linerlock
- Clip de ceinture

- Open and close with one hand
- Specially sharp stainless steel blade for cutting and sawing
- Ergonomic wooden shell handle
- Linerlock safety lock
- Belt clip

WERKSTATTEINRICHTUNG EQUIPEMENT D'ATELIER WORKSHOP EQUIPMENT



± 2592 x 460 x 1890 mm

01

TC123H2

± 1
± 762 x 460 x 1830 mm



02

TC123L2

± 1
± 610 x 406 x 818 mm



03

TC12204

± 1
± 610 x 406 x 818 mm



04

TC123T1

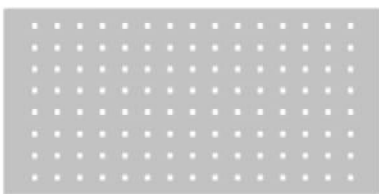
± 2
± 610 x 280 x 338 mm



05

TC125610P

± 6
± 610 x 325 x 24 mm



06

TC124W1830

± 1
± 1830 x 405 x 25 mm



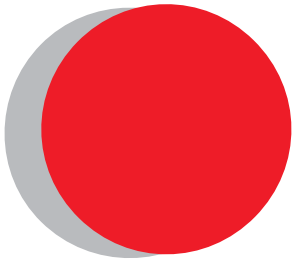
Versand / Envoi / Dispatch

± 830 x 490 x 1960 mm

QUALITÄT aus ERFAHRUNG

QUALITÉ validée par l'EXPÉRIENCE

QUALITY from EXPERIENCE



M

LEUCHTEN

LAMPES



Seit / depuis / since 1992

LIGHTS

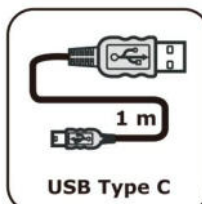
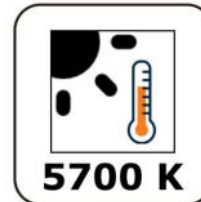
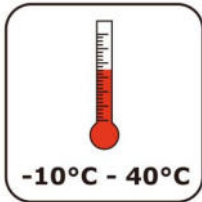
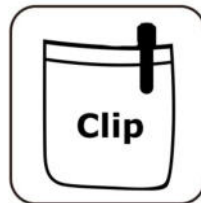
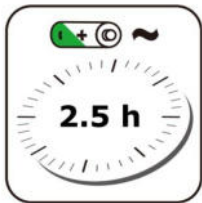
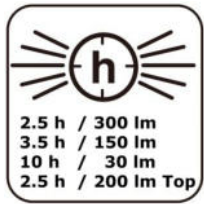
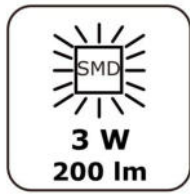
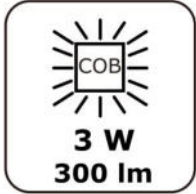
C



AKKU-LED-STIFTLAUCHE

LAMPE STYLO LED RECHARGEABLE

RECHARGEABLE PEN LED LIGHT



COB

SMD



CLIP



ALUMINIUM



± 160x17.3xØ13.8 mm / 92 g



USB-C



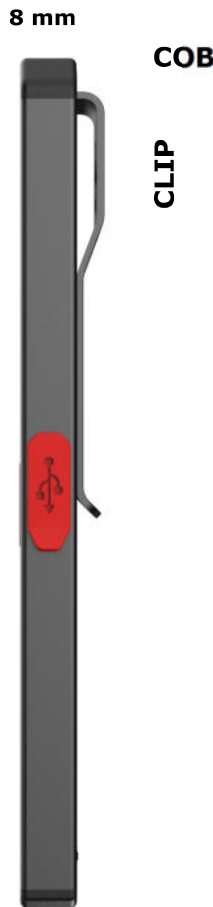
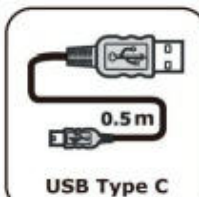
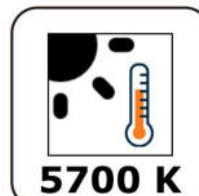
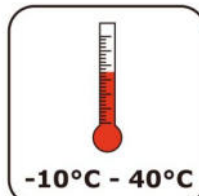
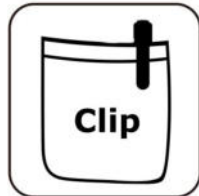
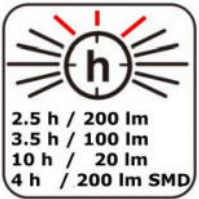
12 Stk./pcs.



AKKU-LED-INSPEKTIONSLEUCHE

LAMPE LED D'INSPECTION RECHARGEABLE

RECHARGEABLE INSPECTION LED LIGHT



122x25x12(8) mm / 79 g



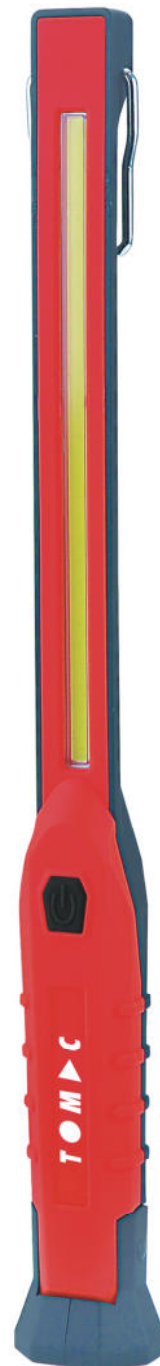
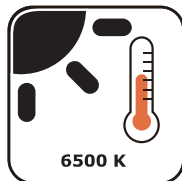
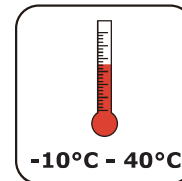
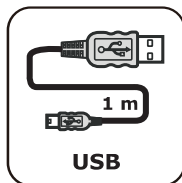
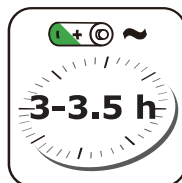
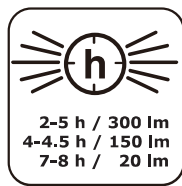
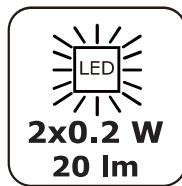
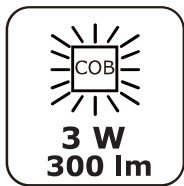
30 Stk./pcs.



EXTRA FLACHE AKKU-LED-ARBEITSLEUCHE 2 IN 1

LAMPE DE TRAVAIL LED RECHARGEABLE EXTRA PLATE 2 EN 1

RECHARGEABLE SLIM LIGHT 2 IN 1



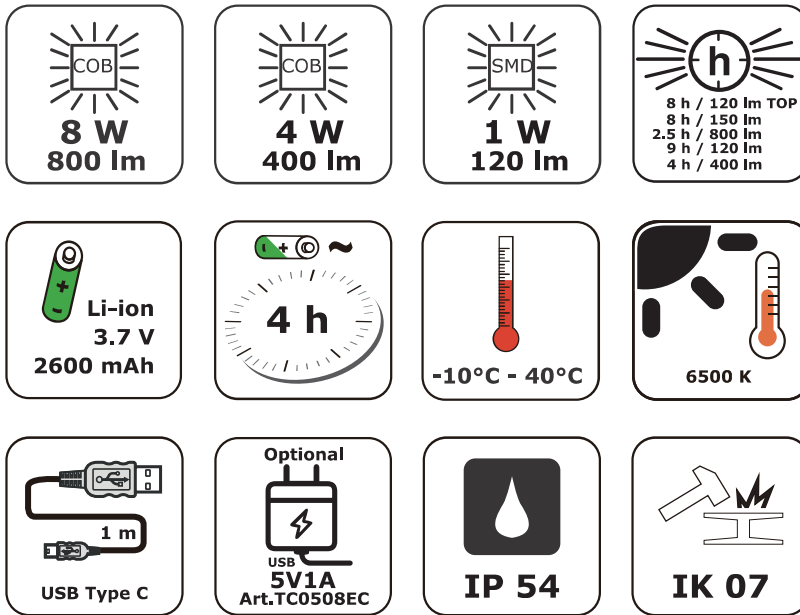
±360 x 40 x 34 mm / 230 g



KLAPPBARE, ULTRA-FLACHE HIGH POWER AKKU-LED-TASCHEN-ARBEITSLEUCHE

LAMPE LED DE POCHE RECHARGEABLE, PLIABLE - ULTRA-PLATE, HAUTE PUISSANCE

RECHARGEABLE HIGH POWER FOLDABLE POCKET SLIMLIGHT

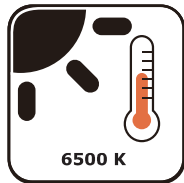
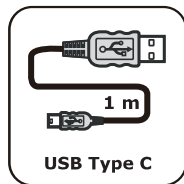
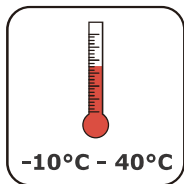
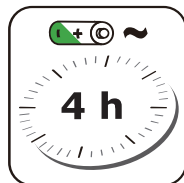
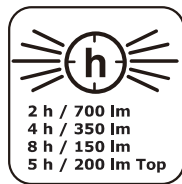
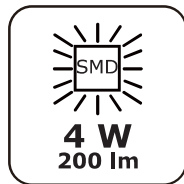
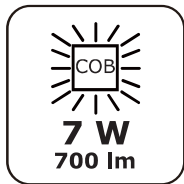




±304 x 33 x 29 mm / 240 g

HOCHLEISTUNGS-AKKU-LED-ARBEITS-/INSPEKTIONS-LEUCHTE 3 IN 1

LAMPE DE TRAVAIL / INSPECTION RECHARGEABLE LED HAUTE PERFORMANCE 3 EN 1

RECHARGEABLE INSPECTION AND POWER WORK LIGHT 3 IN 1

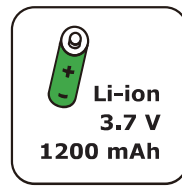
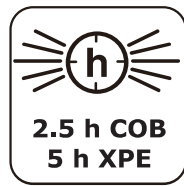
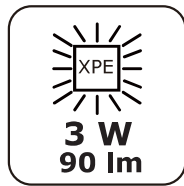
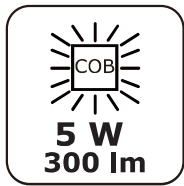


±260 x 53 x 39.3 mm / 580 g  

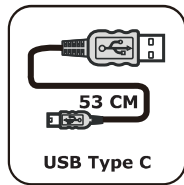
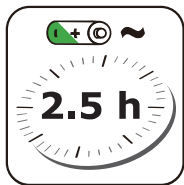
FLEXIBLE, EINSTELLBARE AKKU-COB-LED-STIRN-UND HELM-LAMPE MIT 5 LICHT-MODI

LAMPE FRONTALE ET DE CASQUE LED COB À BATTERIE, AJUSTABLE ET FLEXIBLE AVEC 5 MODES D'ÉCLAIRAGE

FLEXIBLE, ADJUSTABLE RECHARGEABLE COB LED HEAD AND HELMET LAMP WITH 5 LIGHT MODES



DAS ECHTE
LE VRAI
THE REAL



ORIGINAL



COB 100 %



COB DIM



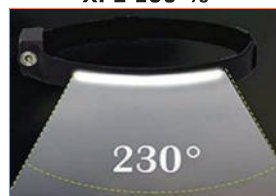
XPE 100 %



XPE DIM



Sensor Motion



230°

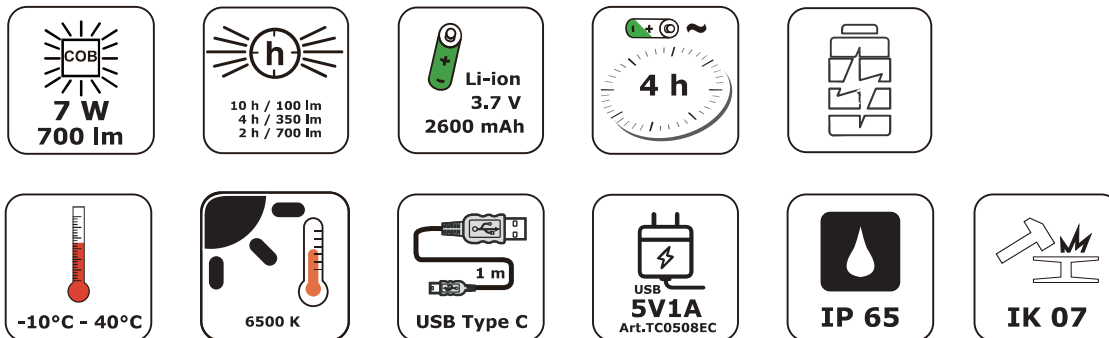




Strobe
Blinken
Clignoter

TASCHEN-FLUTLICHT-LEUCHE

PROJECTEUR DE POCHE

POCKET FLOOD LIGHT



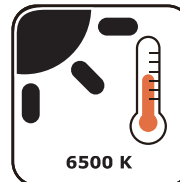
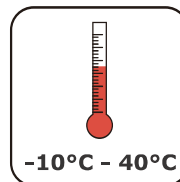
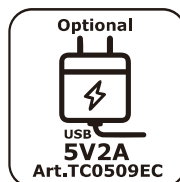
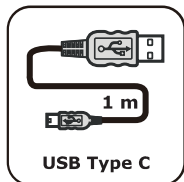
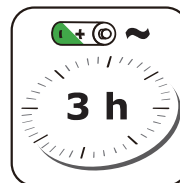
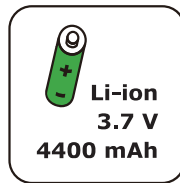
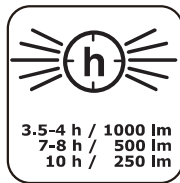
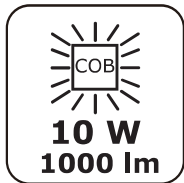
+93 x 88.5 x 30 mm / 375 g  




LED-AKKU-BAUSTRALER UND USB-POWER BANK

PROJECTEUR DE TRAVAIL LED RECHARGEABLE ET POWERBANK USB

RECHARGEABLE FLOOD LIGHT AND USB-POWER BANK

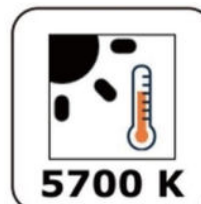
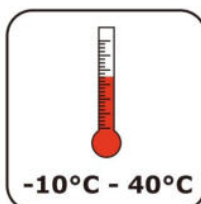
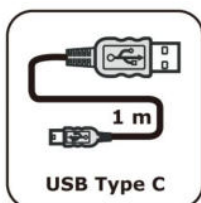
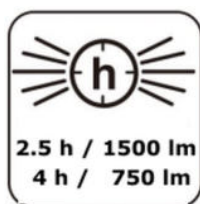


±175 x 135 x 55 mm / 550 g  

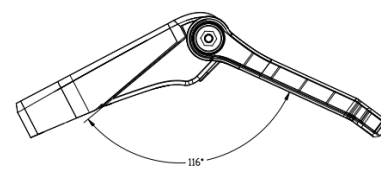
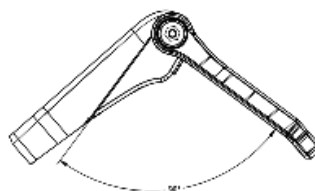
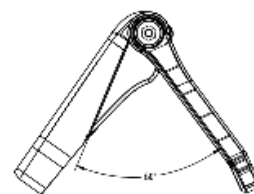
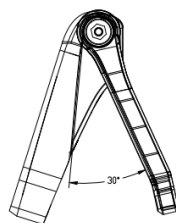
LED-AKKU-BAUSTRAHLER UND USB-POWERBANK

PROJECTEUR DE TRAVAIL LED RECHARGEABLE ET POWERBANK USB

RECHARGEABLE FLOOD LIGHT AND USB-POWERBANK



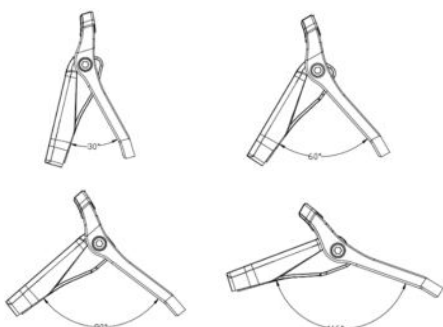
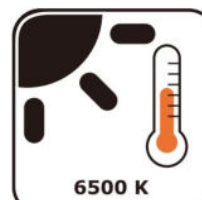
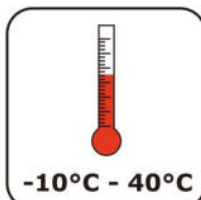
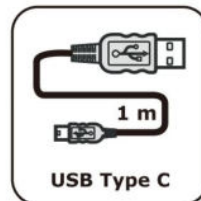
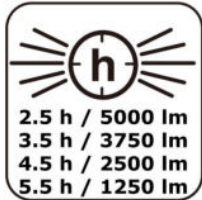
173 x 43 x 133 mm / 530 g



LED-AKKU-BAUSTRAHLER UND USB-POWERBANK

PROJECTEUR DE TRAVAIL LED RECHARGEABLE ET POWERBANK USB

RECHARGEABLE FLOOD LIGHT AND USB-POWERBANK



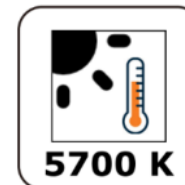
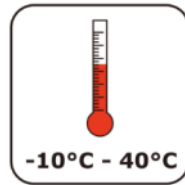
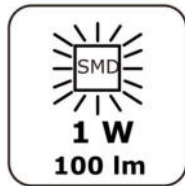
254 x 65 x 260 mm / 1'700 g



HOCHLEISTUNGS-AKKU-LED-ALLZWECK-TASCHENLAMPE MIT INDUKTIONS-SCHNELL-LADESTATION

LAMPE À LED DE POCHE MULTI-USAGE SANS FIL DE HAUTE PERFORMANCE AVEC BASE À INDUCTION DE CHARGE RAPIDE

HIGH PERFORMANCE CORDLESS ALL PURPOSE POCKET LED LAMP WITH INDUCTION QUICK CHARGING BASE



COB

SMD

25 x 68 x 133 mm / 185 g



360°



270°



Adapter
Adaptateur

5V 4A

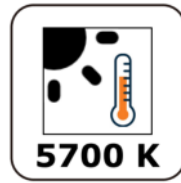
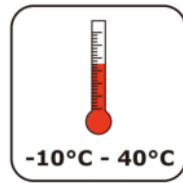
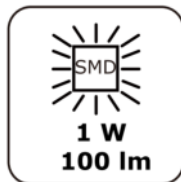
Magnet-Schnell-Ladestation
Base magnétique de charge rapide
Magnetic quick charge base



HOCHLEISTUNGS-AKKU-LED-ARBEITS-/INSPEKTIONS-LEUCHE MIT INDUKTIONS-SCHNELL-LADESTATION

LAMPE À LED DE TRAVAIL/D'INSPECTION SANS FIL DE HAUTE PERFORMANCE AVEC BASE À INDUCTION DE CHARGE RAPIDE

HIGH PERFORMANCE CORDLESS WORK-/INSPECTION LED LAMP WITH INDUCTION QUICK CHARGING BASE



COB

SMD



SMD



205 x 55 x 40 mm / 444 g



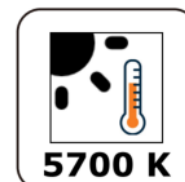
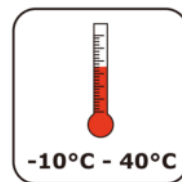
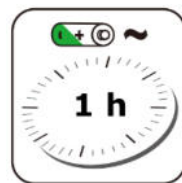
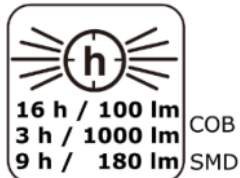
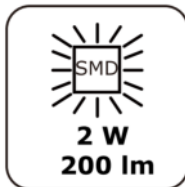
Magnet-Schnell-Ladestation
Base magnétique de charge rapide
Magnetic quick charge base



HOCHLEISTUNGS-AKKU-LED-ARBEITS-/INSPEKTIONS-LEUCHE MIT INDUKTIONS-SCHNELL-LADESTATION

LAMPE À LED DE TRAVAIL/D'INSPECTION SANS FIL DE HAUTE PERFORMANCE AVEC BASE À INDUCTION DE CHARGE RAPIDE

HIGH PERFORMANCE CORDLESS WORK-/INSPECTION LED LAMP WITH INDUCTION QUICK CHARGING BASE



Adapter
Adaptateur

259 x 59 x 40 mm / 507 g

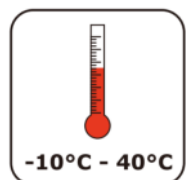
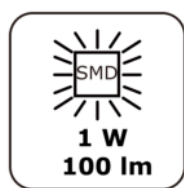
Magnet-Schnell-Ladestation
Base magnétique de charge rapide
Magnetic quick charge base



KLAPPBARE, ULTRA-FLACHE HOCHLEISTUNGS-AKKU-LED-ARBEITS-/INSPEKTIONS-LEUCHE MIT INDUKTIONS-SCHNELL-LADESTATION

LAMPE À LED DE TRAVAIL/D'INSPECTION SANS FIL DE HAUTE PERFORMANCE, PLIABLE ET ULTRA-PLATE AVEC BASE À INDUCTION DE CHARGE RAPIDE

HIGH PERFORMANCE CORDLESS FOLDABLE ULTRA SLIM WORK-/INSPECTION LED LAMP WITH INDUCTION QUICK CHARGING BASE



Magnet-Schnell-Ladestation
Base magnétique de charge rapide
Magnetic quick charge base





T O M C

seit / depuis / since 1992

2025

